



## Undercounter ice maker up to 134 kg - Sprayer system

Hotel	████████████████████
Restaurant	██████████████████
Fast food	██████████████
Bar	██████████████████
Disco	██████████████████
Fish market	██████████████
Supermarket	██████████████
Medical & SPA	██████████████
Industry	██████████████

### ► Position n°



### ► Features & Plus

- Compact and crystal cube
- AISI 304 SS Scotch Brite finish
- Tropical class +43°C
- Adjustable Stainless Steel feet
- Removable and cleanable air filter
- Air or water cooling system
- Easy cleanable internal rounded surfaces
- HCFC-Free insulated storage
- RoHS Free
- Disappearing insulated door
- Electromechanical operation
- ON-OFF rocker switch
- Standard and special voltages



AISI 304 SS Scotch Brite finish



Adjustable Stainless Steel feet



Removable and cleanable air filter

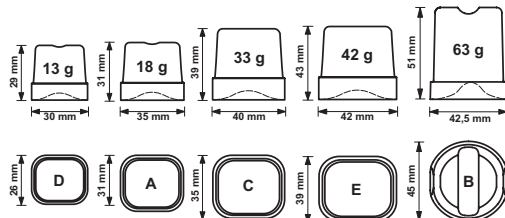


Easy cleanable internal rounded surfaces



Disappearing insulated door

### ► Available ice cube size



### ► Prod. 24h

Air temp.	Water temp.		kg	lbs
	10° C	50° F		
	21° C	70° F		
10° C	10° C	50° F	134	295
21° C	15° C	60° F	130	287

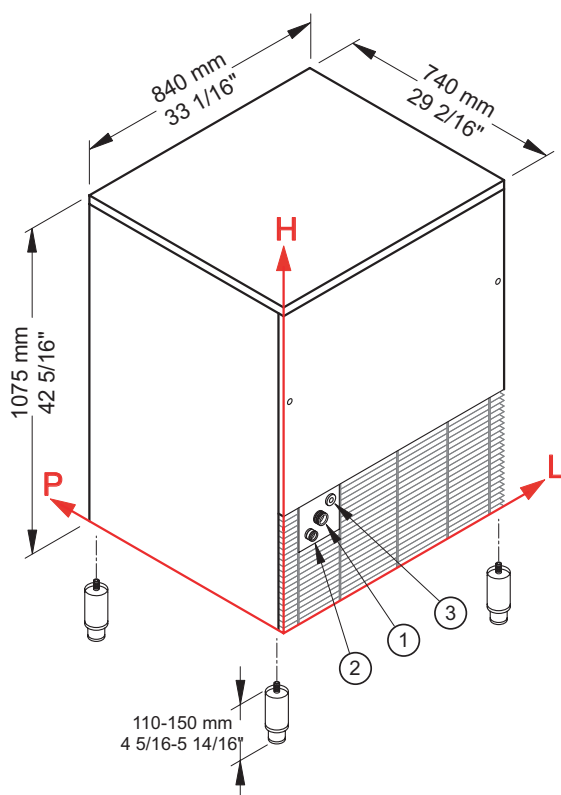
**2 Years Warranty**  
subject to limitations

### ► Certifications available for this model





Ice Cube

**CB 1265****Undercounter ice maker up to 134 kg - Sprayer system****► Working conditions**

- Location: **Indoor**

	Min	Max
Ambient temperature	+10° C / +50° F	+43° C / 110° F
Water temperature	+3° C / +37° F	+32° C / +90° F
Voltage	-10%	+10%
Water inlet pressure	1bar (14 psi)	6bar (84 psi)

**► Performances**

	Air temperature	Water temperature					
		10° C	50° F	15° C	60° F	21° C	70° F
	10° C	134 kg					
	50° F		295 lbs				
	21° C			130 kg			
	70° F				287 lbs		
	32° C					106 kg	
	90° F						234 lbs

**► Connections**

All measures are referred to the rear bottom-left corner (L-H-Ø)

- ① Water in.: 141 mm / 5 9/16" - 290 mm / 11 7/16" - 3/4"      ② Water out.: 79 mm / 3 2/16" - 245 mm / 9 10/16" - 24 mm / 15/16"  
 ③ Electrical connections: 186 mm / 7 5/16" - 326 mm / 12 13/16"

**► Technical information**

Production in 24h	130 kg / 287 lbs
Store capacity, up to	65 kg / 143 lbs
Cooling system	A - W
Kind of cube	A-18g, C-33g, D-13g, E-42g, B-63g
Refrigerant	R404A
Standard voltage	220-240 V ~ 50 Hz
Electrical consumption	1050 W
Fuse	16 A
Finish	AISI 304 stainless steel, scotch brite

Water consumption	A: 2,8 l/kg - 33,5 gal/100 lbs
	W: 15,3 l/kg - 183,3 gal/100 lbs
Sizes (L-P-H mm)	840 - 740 - 1075
(L-P-H in)	33 1/16 - 29 2/16 - 42 5/16
Sizes with pack (L-P-H mm)	880 - 785 - 1245
(L-P-H in)	34 10/16 - 30 14/16 - 49
Net weight	113 kg / 249 lbs
Gross weight	133 kg / 293 lbs

All the technical information must be considered at the following conditions:

- Sizes without feet
- Standard Cube (18 g)
- Ambient temperature +21° C
- Water temperature +15° C
- Electrical consumption at +43° C (standard voltage)

Models and specifications are subject to change without notice

**BREMA ICE MAKERS SPA**Via dell'Industria 10,  
20020 Villa Cortese (MI), Italytel. +39 0331 434811  
fax +39 0331 433833[www.bremaice.it](http://www.bremaice.it)  
info@bremaice.itBim + Data  
download

Installation



We are Brema

